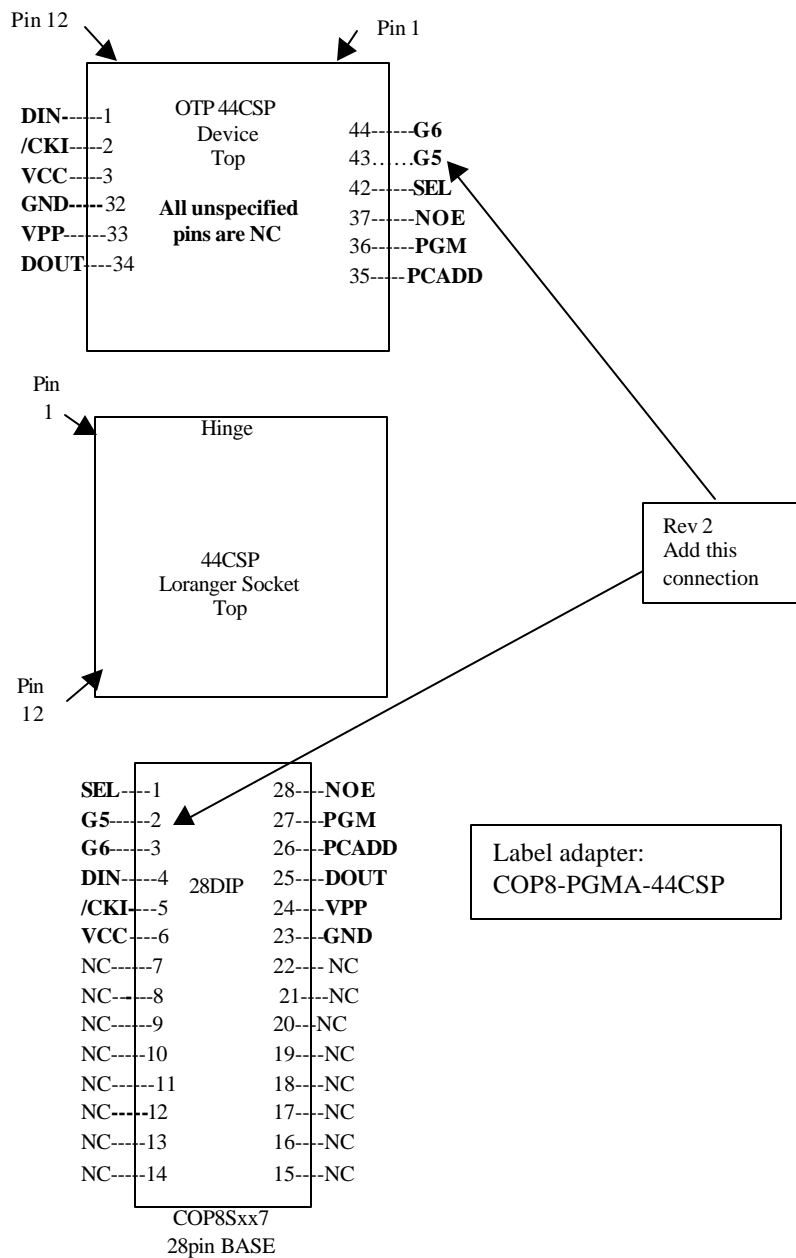


National Semiconductor  
AnalogMicroControllers Group

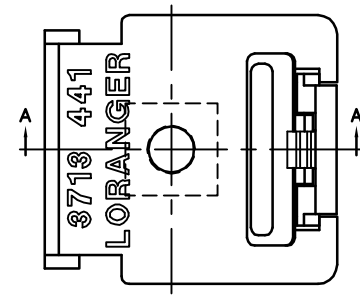
COP8-PGMA-44CSP  
Programming Adapter for COP8 OTP devices in 44CSP  
(COP8SAx7, COP8SGx7)  
Rev 2, 8/30/00

**NOTE: COP8 flash device 44CSP adapter is different: COP8-PGMA-44CSF**

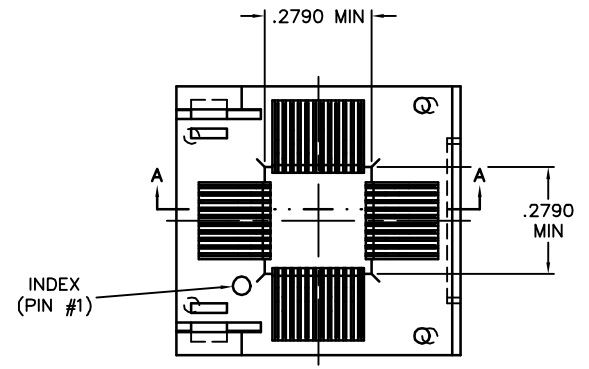
This adapter uses the same form-factor as the COP8-PGMA-28CSP, but with a 44pin socket instead. Only 12 pins are connected. Check the socket drawing for pin 1 location, which is different from the 28CSP socket.



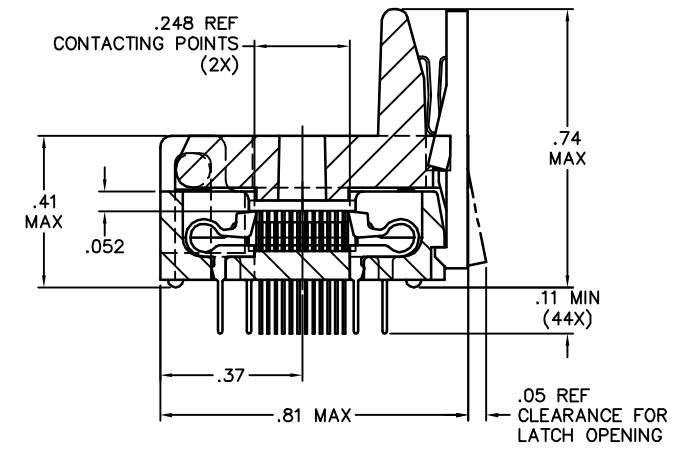
REVISION		
symbol	description	initial/date



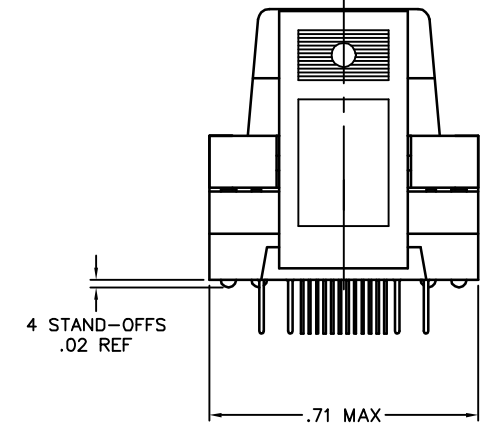
TOP VIEW COVER



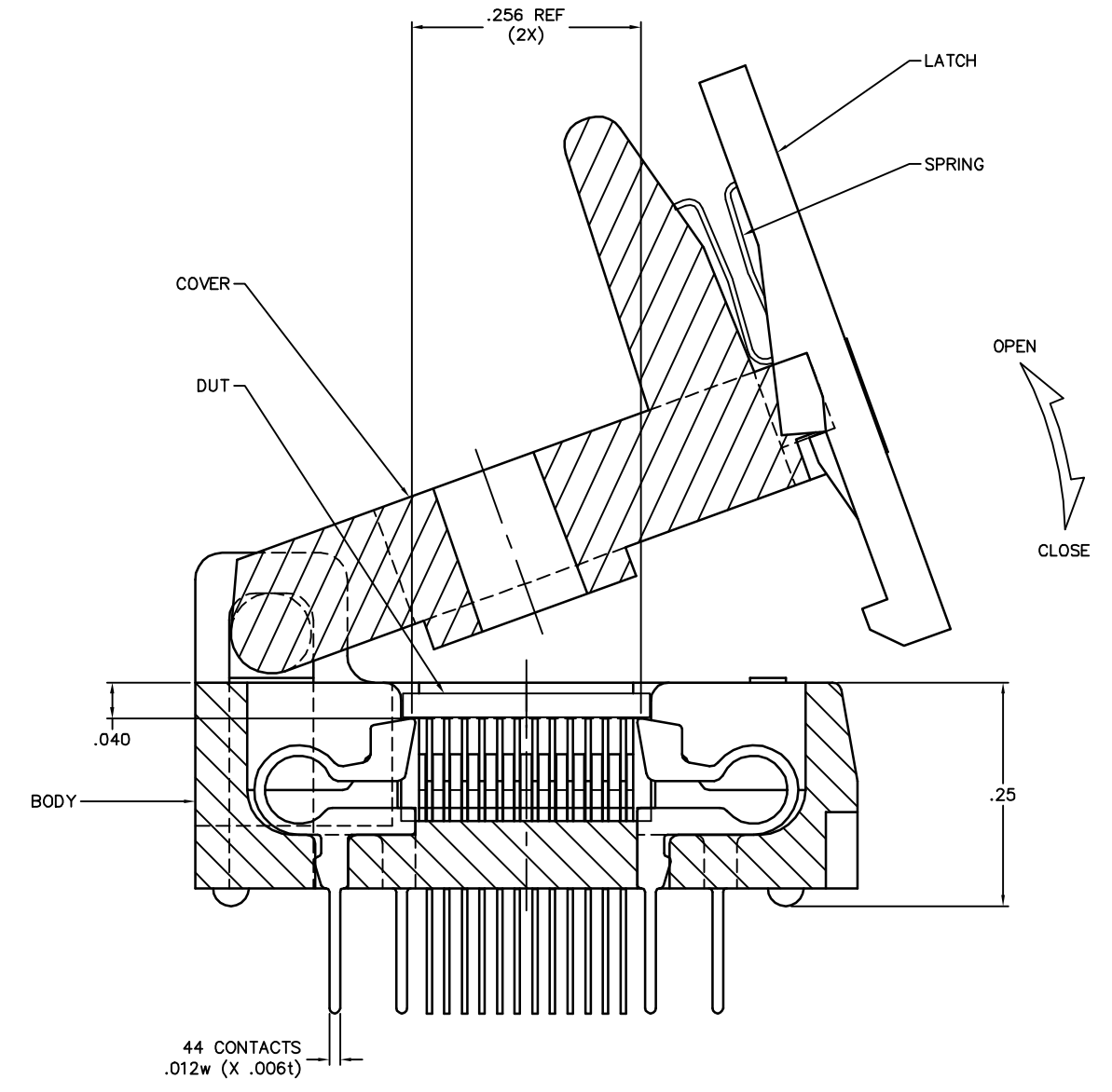
TOP VIEW WITH COVER REMOVED




SECTION "A"-A"  
(SOCKET CLOSED)



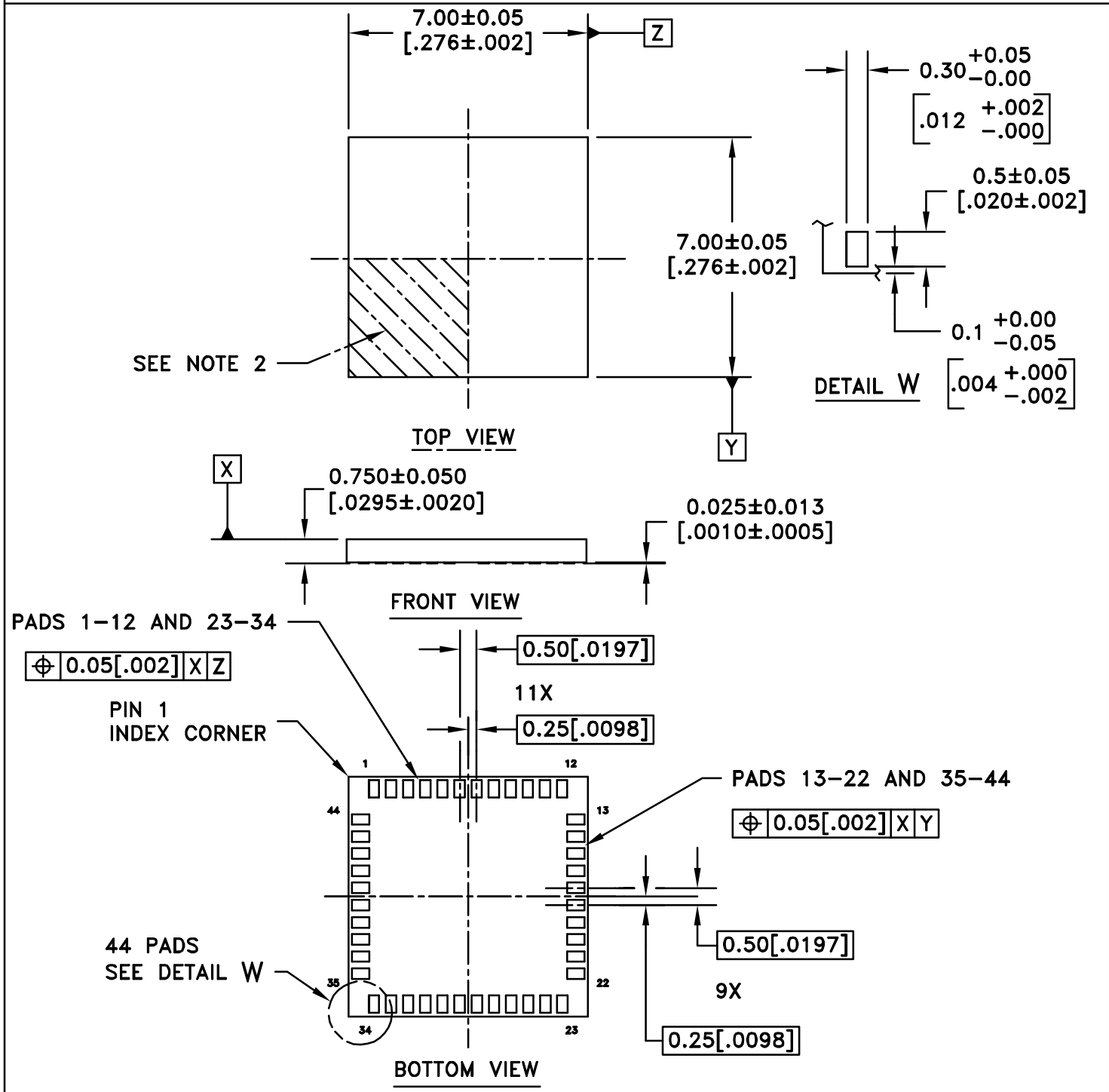
FRONT VIEW



SECTION "A"-A"  
(SOCKET OPENING)  
(SCALE: 5/1)

 Loranger International Corporation Warren, PA 16365	NOTICE Drawing is subject to change without notice and is L.I.C. proprietary in design and content. L.I.C. retains all patent rights and exclusive rights of use, manufacture and/or sale. Possession of this drawing does not convey permission to reproduce or manufacture article. Permission shall only be granted in writing and must be signed by an officer of L.I.C.	
	Tolerance In Inches .xx ± .01 fract. .xxx ± .005 ang. ± 1/2° .xxxx ± .0010	Equipment where used 44 LEAD, 7 X 7mm, 0.5mm PITCH CSP
SCALE 2/1	Part Description SOCKET	DWG. NO. 03713 441 6217
Orig. Release DRAFTED by/date SBR/1-25-00	CHECKED by/date ISSUE DATE	PAGE NO. 1 OF 2
FILE NO. 3713441		PROD. NO. 03713 441 6217

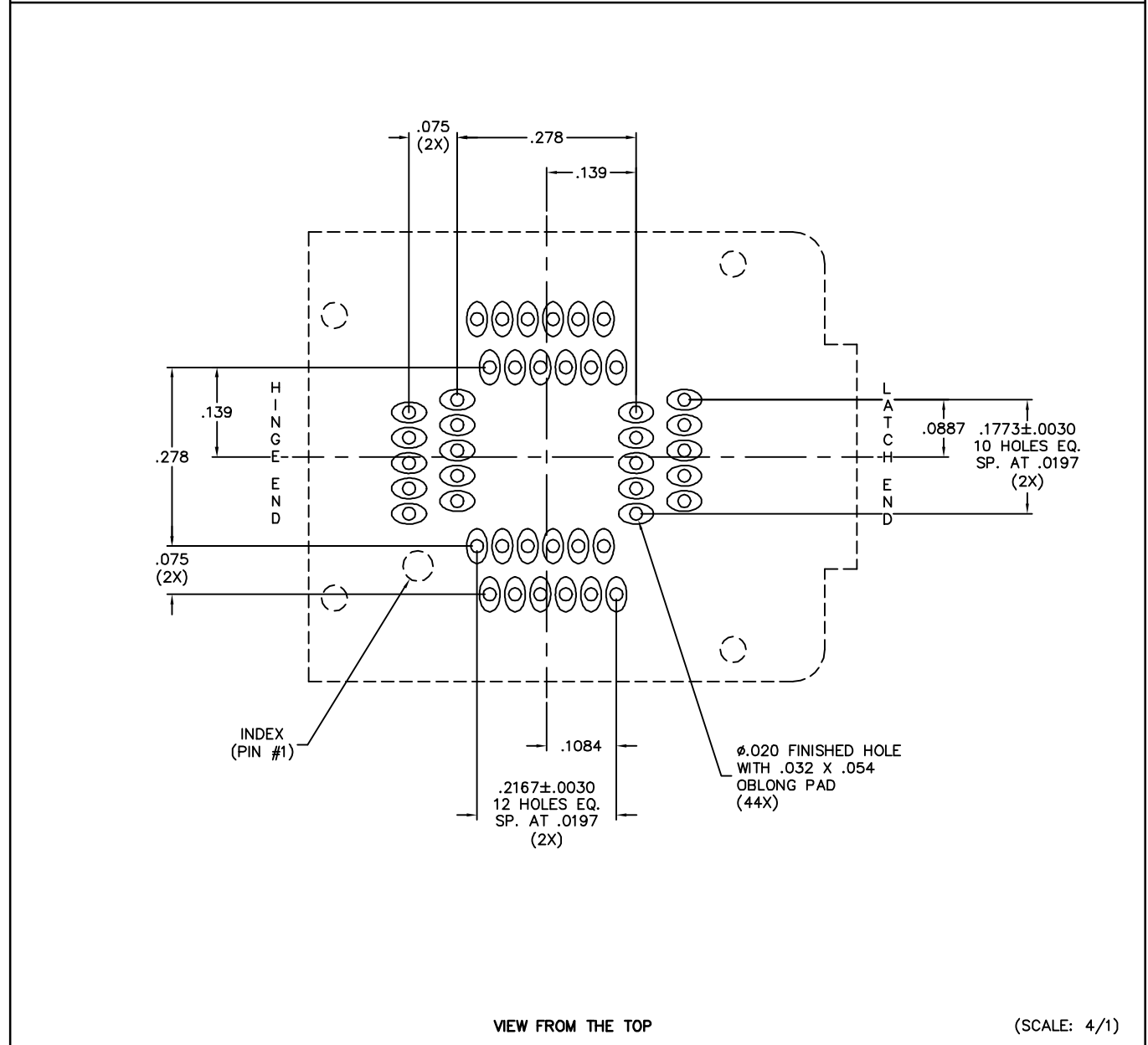
DIMENSIONALLY COMPATIBLE PACKAGE FOR SOCKET SHOWN ON PAGE 1



- NOTES:**
1. INTERPRET DRAWING IN ACCORDANCE WITH ASME Y14.5M-1994
  2. A PIN 1 IDENTIFYING FEATURE IS TO BE APPLIED IN THE GENERAL AREA SHOWN. SIZE, STYLE, AND LOCATION OPTIONAL, BUT THE FEATURE MUST NOT PROJECT ABOVE THE PACKAGE TOP.
  3. IN THIS PANEL CONTROLLING DIMENSIONS ARE IN MM, AND ANGLE TOL IS  $\pm 0.5^\circ$
  4. THIS DEVICE PACKAGE IS BASED, IN PART, ON INFORMATION CONTAINED IN CUSTOMER-SUPPLIED DRAWING(S), HOWEVER IT ADDITIONALLY CONTAINS FEATURE CONTROLS AND TOLERANCING REQUIRED FOR COMPATIBILITY WITH THE L.I.C. SOCKET DRAWN ON PAGE 1. THE CUSTOMER IS ADVISED TO REVIEW THIS DEVICE PACKAGE DRAWING THOROUGHLY BEFORE APPROVING TO ASSURE THAT MANUFACTURING REALITIES AGREE WITH THE DESIGN NEEDS.
  5. DEVICE REFERENCE FOR THIS PACKAGE IS NATIONAL 44/PRECISION DESIGN

REVISION		
symbol	description	initial/date

RECOMMENDED P.T.H. PATTERN



**NOTICE**  
 Drawing is subject to change without notice and is L.I.C. proprietary in design and content. L.I.C. retains all patent rights and exclusive rights of use, manufacture and/or sale. Possession of this drawing does not convey permission to reproduce or manufacture article. Permission shall only be granted in writing and must be signed by an officer of L.I.C.

Tolerance In Inches $.xx \pm .01$ fract. $.xxx \pm .005$ ang. $\pm 1/2^\circ$ $.xxxx \pm .0010$		Equipment where used 44 LEAD, 7 X 7mm, 0.5mm PITCH CSP	PROD. NO. 03713 441 6217
Part Description SOCKET		DWG. NO. 03713 441 6217	
SCALE NOTED	Orig. Release	DRAFTED by/date SBR/1-25-00	CHECKED by/date ISSUE DATE PAGE NO. 2 OF 2 FILE NO. 3713441